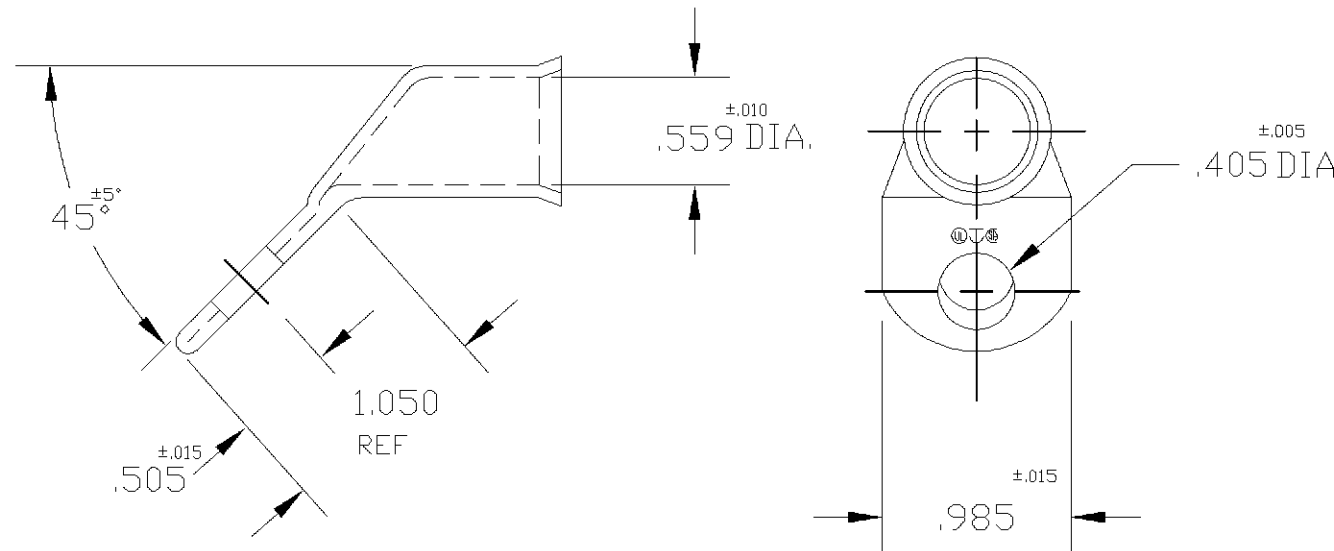


THIS DRAWING IS UNPUBLISHED. RELEASED FOR PUBLICATION
 © COPYRIGHT BY TYCO ELECTRONICS CORPORATION. ALL RIGHTS RESERVED.

LOC	DIST	REVISIONS					
		P	LTR	DESCRIPTION	DATE	DWN	APVD
G	50		A	REACTIVATE PER 0G61-0001-01	09JAN02	JR	MS



ACTIVE	40381-09-45	STANDARD	TIN PLATE	1526848-2
ACTIVE	40381-08-45	STANDARD	PLAIN	1526848-1
STATUS	AET P/N	PACKAGING	FINISH	PART NUMBER

THIS DRAWING IS A CONTROLLED DOCUMENT.		DWN D.A.A 11/2/00	Tyco Electronics Corporation Harrisburg, PA 17105-3608	
DIMENSIONS: INCHES		CHK H.D.F 11/2/00		
		APVD H.D.F 11/2/00	NAME 4/0A STANDARD TERMINAL WITH 45° BEND	
TOLERANCES UNLESS OTHERWISE SPECIFIED: 0 PLC ± - 1 PLC ± - 2 PLC ± - 3 PLC ± - 4 PLC ± - ANGLES ± -		PRODUCT SPEC -	-	
MATERIAL COPPER ASTM B-152		FINISH -	APPLICATION SPEC -	RESTRICTED TO -
		WEIGHT -	SIZE A3	CAGE CODE 00779
		DRAWING NO C-1526848		SCALE 1:1
		CUSTOMER DRAWING		SHEET 1 OF 1
				REV A